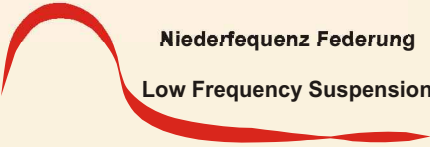


SEARS SEATING

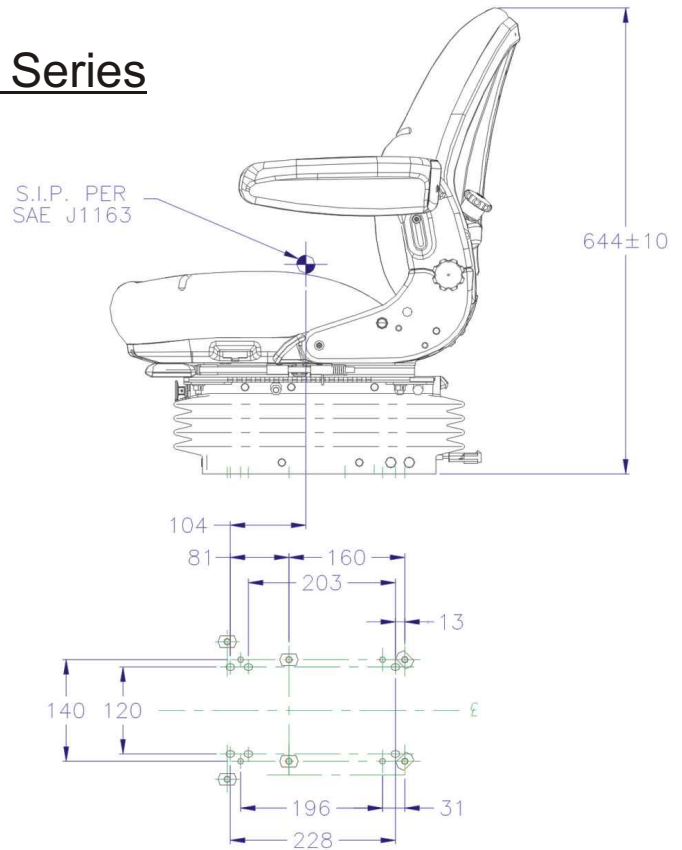
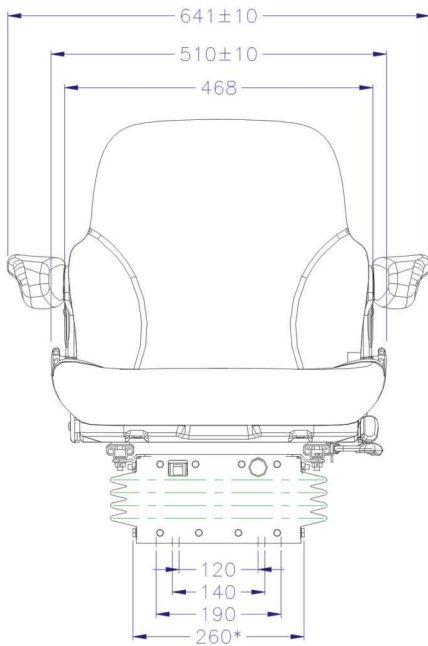


D3030 Series



 Niederfrequenz Federung
Low Frequency Suspension
Suspension a Fréquence ultra basse

D3030 Series



Medium air suspension with Airide® high volume air spring & damper

FEATURES

- Replaceable double depth Fabriform® comfort cushions
- Upper back rest height adjustable
- Back angle fully adjustable
- Mechanical Lumbar
- Height adjustment 76mm
- Automatic height & weight adjustment 30 -130kg
- Seat cushion length adjustment 60mm
- Horizontal combined isolator-slide, sprung and damped
- Armrests with height & tilt up adjustment
- Suspension stroke 80mm
- Swivel 20°- 20°
- Slide travel 160mm
- Moulded suspension cover
- Vibration performance to ISO 7096

OPTIONS

- Lateral isolator
- Seat belt to ISO 3776
- Seat heaters 12, 24, 48v
- Operator presence switch
- Range of fabric, velour or PVC trim

中型空气悬浮，
配备Airide®高流量空气弹簧和减震器

特性

- 可拆换双层Fabriform®舒适坐垫
- 头枕高度可调
- 靠背角度可调
- 机械式腰撑
- 高度调节76mm
- 自动高度调节和体重调节30 -130kg
- 坐垫长度调节60mm
- 组合滑动式水平隔离装置，配备弹簧和减震器
- 扶手高度和角度可调
- 悬浮行程80mm
- 可旋转20°- 20°
- 滑道行程160mm
- 模制悬浮面料
- 振动特性符合ISO7096标准

选项

- 侧向隔离装置
- 座椅安全带符合ISO 3776标准
- 座椅加热器电源为12, 24, 48伏
- 驾驶员控制开关
- 织物范围，丝绒或PVC