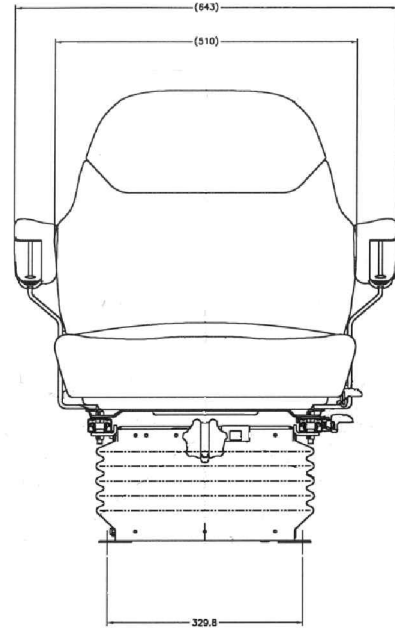
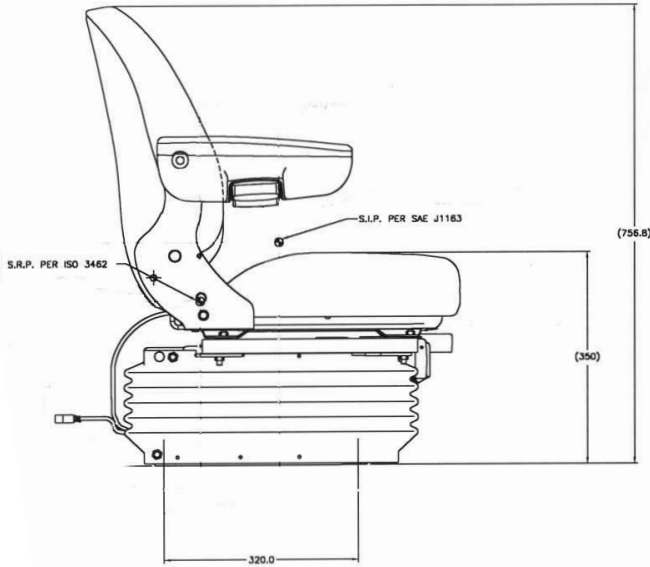


SEARS
SEATING

5010 Series



5010 Series



Large mechanical suspension with 3 position height adjustment & double acting Duo® damper

FEATURES

- Replaceable double depth Fabriform® comfort cushions
- Armrests with height pitch & tilt up adjustment
- Back angle fully adjustable
- Height adjustment 76mm
- Suspension stroke 80mm
- Slide travel 160mm
- Mechanical Lumbar
- Moulded suspension cover
- Vibration performance to ISO 7096

OPTIONS

- Horizontal combined isolator-slide, sprung & Damped
- Suspension height limiter 40mm
- Upper back rest height adjustable
- Seat belt to ISO 6683
- Seat heaters 12, 24, 48v
- Operator presence switch
- Range of fabric, velour or PVC trim

大型机械式悬浮，
配备三级驾驶位置调节器和双效Duo®减震器

特性

- 可拆换双层Fabriform®舒适坐垫
- 扶手高度和角度可调
- 靠背角度可调
- 高度调节76mm
- 悬浮行程80mm
- 滑道行程160mm
- 机械式腰撑
- 模制悬浮面料
- 振动特性符合ISO7096标准

选项

- 组合滑动式水平隔离装置，配备弹簧和减震器
- 悬浮高度限位40mm
- 头枕高度可调
- 座椅安全带符合ISO 6683标准
- 座椅加热器电源为12, 24, 48伏
- 驾驶员控制开关
- 织物范围，丝绒或PVC

