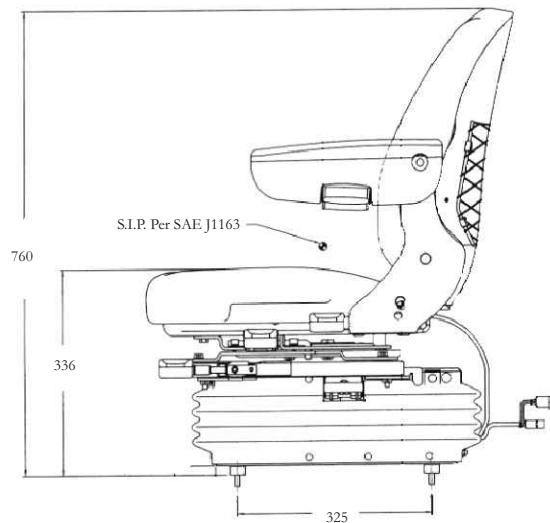
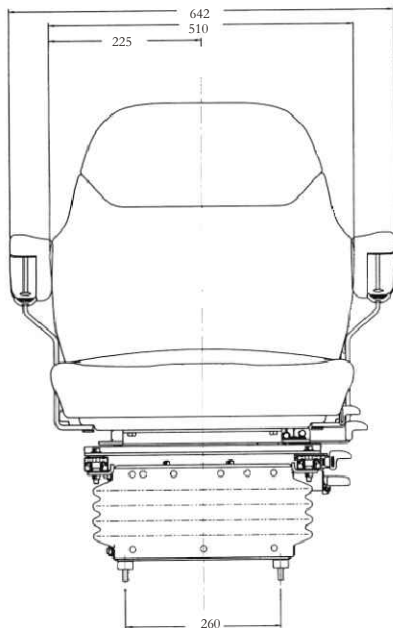


SEARS
SEATING

5040 Series



5040 Series



Large Low frequency air suspension with Airide® high volume air spring & double acting Duo® damper

FEATURES

- Replaceable double depth Fabriform® comfort cushions
- Height adjustment 76mm
- Back angle fully adjustable
- Automatic height & weight adjustment 50 -150kg
- Mechanical Lumbar
- Suspension stroke 80mm
- Armrests with height pitch & tilt up adjustment
- Slide travel 200mm
- Moulded suspension cover
- Vibration performance to ISO 7096

OPTIONS

- Upper back rest height adjustable
- Suspension height limiter 40mm
- Seat belt to ISO 6683
- Operator presence switch
- Range of fabric, velour or PVC trim

大型低频空气式悬浮，
配备Airide®高流量空气弹簧和双效Duo®减震器

特性

- 可拆换双层Fabriform®舒适坐垫
- 高度调节76mm
- 靠背角度可调
- 自动高度调节和体重调节50 -150kg
- 机械式腰撑
- 悬浮行程80mm
- 扶手高度和角度可调
- 滑道行程200mm
- 模制悬浮面料
- 振动特性符合ISO7096标准

选项

- 头枕高度可调
- 悬浮高度限位40mm
- 座椅安全带符合ISO 6683标准
- 驾驶员控制开关
- 织物范围，丝绒或PVC