

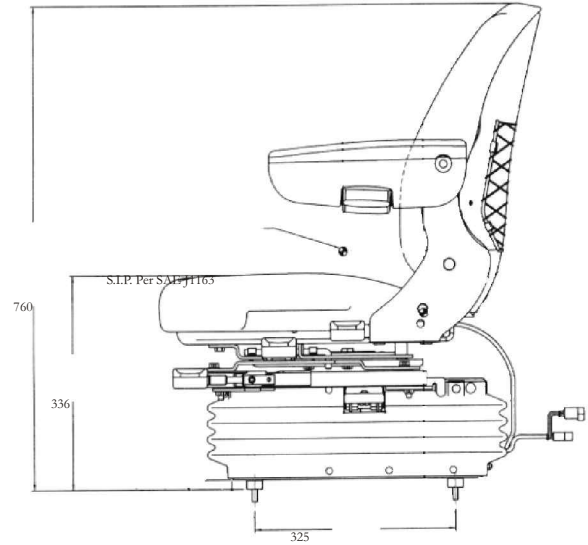
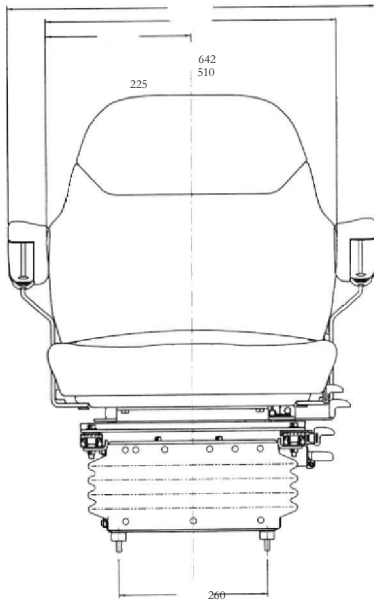
SEARS
SEATING

5045 Series



Niederfrequenz Federung
Low Frequency Suspension
Suspension a Frequence ultra basse

5045 Series



Large Low frequency air suspension with Airide® high volume air spring & double acting Duo® damper

FEATURES

- Replaceable double depth Fabriform® comfort cushions
- Height adjustment 76mm
- Back angle fully adjustable
- Automatic height & weight adjustment 50 -150kg
- Automatic ride protection system(ARPS™)
- Suspension stroke 80mm
- Horizontal isolator fully integrated, sprung & Duo® Damped
- Armrests with height pitch & tilt up adjustment
- Slide travel 200mm
- Moulded suspension cover
- Vibration performance to ISO 7096

OPTIONS

- Seat belt to ISO 6683
- Adjustable Duo® damper(5055)
- Seat heaters 12, 24, 48v
- Operator presence switch
- Range of fabric, velour or PVC trim

大型低频空气式悬浮，配备Airide®高流量空气弹簧和双效Duo®减震器

特性

- 可拆换双层Fabriform®舒适坐垫
- 高度调节76mm
- 靠背角度可调
- 自动高度调节和体重调节50 -150kg
- 自动驾驶保护系统(ARPS™)
- 悬浮行程80mm
- 整体式水平隔离装置，配备弹簧和Duo®减震器
- 扶手高度和角度可调
- 滑道行程200mm
- 模制悬浮面料
- 振动特性符合ISO7096标准

选项

- 座椅安全带符合ISO 6683标准
- 可调式Duo™减震器
- 座椅加热器电源为12, 24, 48伏
- 驾驶员控制开关
- 织物范围，丝绒或PVC