

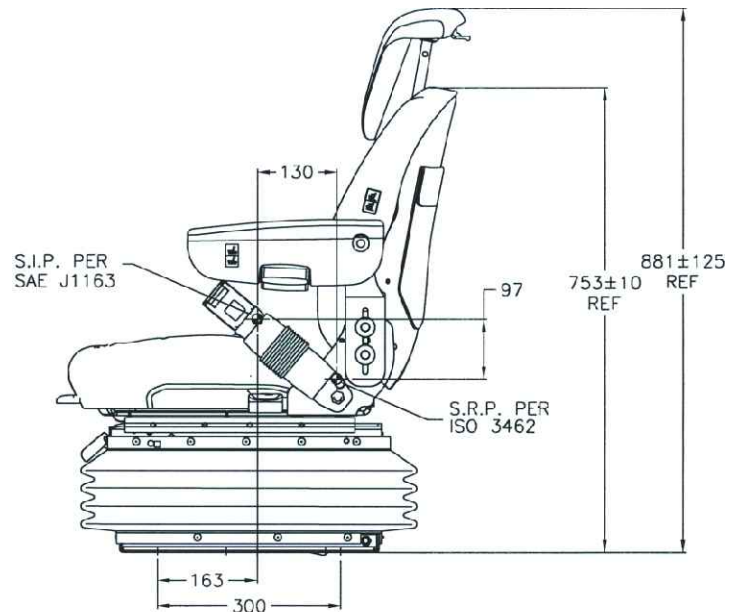
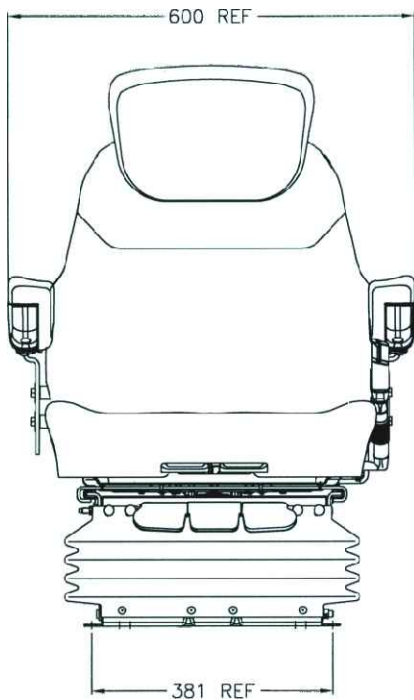
SEARS SEATING

5085 Series



Niederfrequenz Federung
Low Frequency Suspension
Suspension a Frequence ultra basse

5085 Series



Wide Heavy duty Low Frequency air suspension with Airide® high volume air spring & double acting, Duo® damper

FEATURES

- Replaceable double depth Fabriform® comfort cushions
- Upper back rest height adjustable
- Back angle fully adjustable
- Up front suspension controls.
- Height adjustment 76mm
- Automatic height & weight adjustment 50 -175kg
- Horizontal isolator fully integrated, sprung & Duo® Damped
- Lateral isolator fully integrated, sprung & Duo® damped
- Adjustable Duo® damper
- Armrests with height pitch & tilt up adjustment
- Suspension stroke 90mm
- Swivel 20°- 20°
- DuraPuck™ slide travel 180mm
- Electric air lumbar
- Operator presence switch
- Moulded suspension cover
- Vibration performance to ISO 7096

OPTIONS

- Seat belt to ISO 6683
- Seat heaters 12, 24, 48v
- Luxury Leather trim
- Range of fabric, velour or PVC trim

宽体重型低频空气悬浮，配备Airide®高流量双效空气弹簧和Duo®减震器

特性

- 可拆换双层Fabriform®舒适坐垫
- 头枕高度可调
- 靠背角度可调
- 预先悬浮控制
- 高度调节76mm
- 自动高度调节和体重调节50 -175kg
- 整体式水平隔离装置，配备弹簧和Duo®减震器
- 整体式侧向隔离装置，配备弹簧和Duo®减震器
- 可调式Duo™减震器
- 扶手高度和角度可调
- 悬浮行程90mm
- 可旋转20°- 20°
- DuraPuck™滑道行程180mm
- 电动充气腰撑
- 驾驶员控制开关
- 模制悬浮面料
- 振动特性符合ISO7096标准

选项

- 座椅安全带符合ISO 6683标准
- 座椅加热器电源为12, 24, 48伏
- 高档皮革
- 织物范围，丝绒或PVC

