

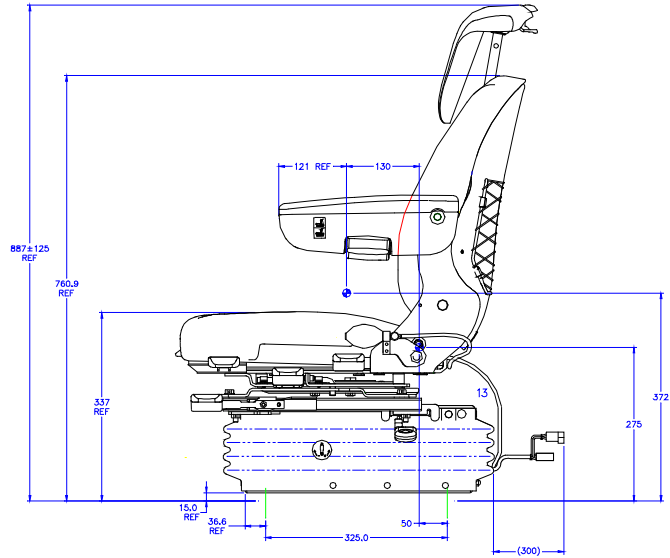
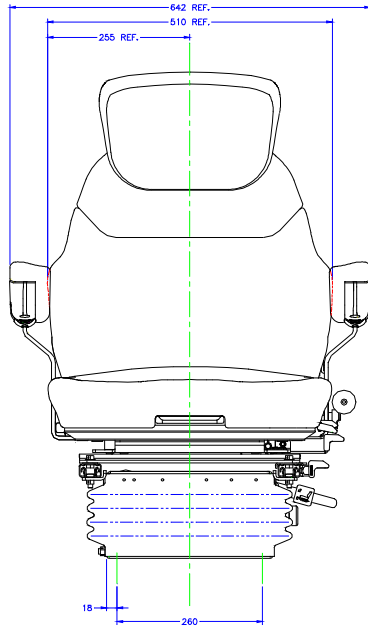
**SEARS**  
SEATING

## D5065 Series



**Niederfrequenz Federung**  
**Low Frequency Suspension**  
Suspension a Frequenze ultra basse

## Deluxe-D5065 Series



Large Low frequency air suspension with Airide® high volume air spring & double acting Duo® damper

大型低频空气式悬浮，配备Airide®高流量空气弹簧和双效Duo®减震器

### FEATURES

- Replaceable double depth Fabriform® comfort cushions
- Upper back rest height adjustable
- Back angle fully adjustable
- Height adjustment 76mm
- Automatic ride protection system(ARPS™)
- Automatic height & weight adjustment 50 -150kg
- Seat cushion length adjustment 60mm
- Seat cushion tilt adjustment 21°
- Suspension stroke 80mm
- Swivel 21°- 21°
- Slide travel 200mm
- Mechanical Lumbar
- Operator presence switch
- Moulded suspension cover
- Vibration performance to ISO 7096

### 特性

- 可拆换双层Fabriform®舒适坐垫
- 头枕高度可调
- 靠背角度可调
- 高度调节76mm
- 自动驾驶保护系统(ARPS™)
- 自动高度调节和体重调节50 -175kg
- 坐垫长度调节60mm
- 坐垫倾角调节21°
- 悬浮行程80mm
- 可旋转21°- 21°
- 滑道行程200mm
- 机械式腰撑
- 驾驶员控制开关
- 模制悬浮面料
- 振动特性符合ISO7096标准

### OPTIONS

- Lateral isolator
- Seat belt to ISO 6683
- Seat heaters 12, 24, 48v
- Luxury Leather trim
- Range of fabric, velour or PVC trim

### 选项

- 侧向隔离装置
- 座椅安全带符合ISO 6683标准
- 座椅加热器电源为12, 24, 48伏
- 织物范围，丝绒或PVC
- 高档皮革

