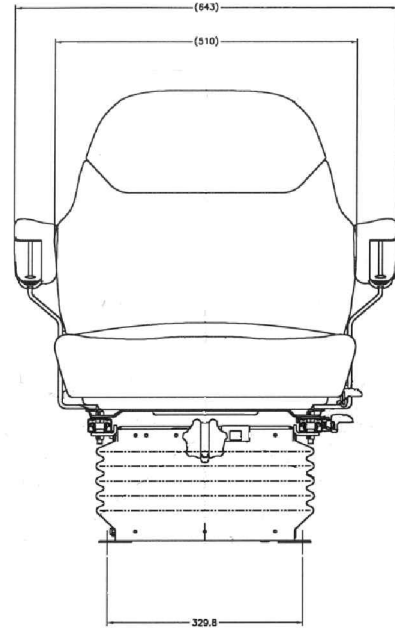
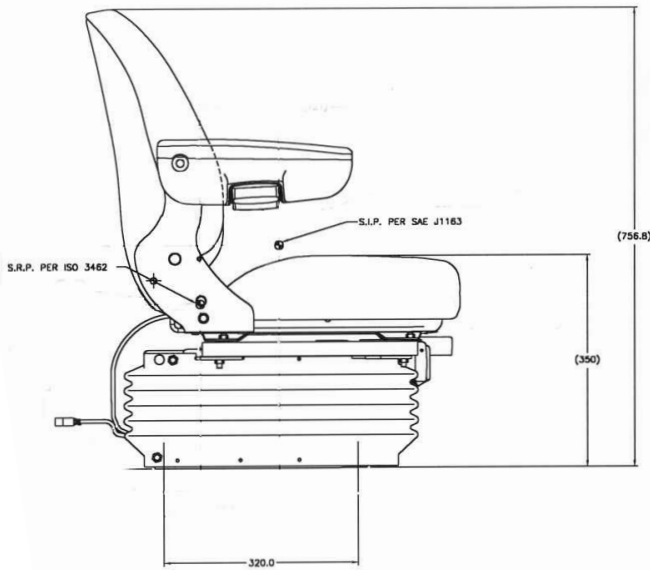


**SEARS**  
SEATING

5020 Series



## 5020 Series



Large mechanical suspension with 3 position height adjustment & double acting Duo® damper

大型机械式悬浮，  
配备三级驾驶位置调节器和双效Duo®减震器

### FEATURES

Replaceable double depth Fabriform® comfort cushions  
Back angle fully adjustable  
Mechanical Lumbar  
Height adjustment 76mm  
Weight adjustment 50-150kg  
Suspension stroke 80mm  
Double lock slide travel 200mm  
Moulded suspension cover  
Vibration performance to ISO 7096

### 特性

可拆换双层Fabriform®舒适坐垫  
靠背角度可调  
机械式腰撑  
高度调节76mm  
体重调节50-150kg  
悬浮行程80mm  
双锁紧型滑道行程200mm  
模制悬浮面料  
振动特性符合ISO7096标准

### OPTIONS

Armrests with height pitch & tilt up adjustment  
Upper back rest  
Seat belt to ISO 6683  
Turntable 0°-180°  
Seat heaters 12, 24, 48v  
Operator presence switch  
Range of fabric, velour or PVC trim  
Tether belt version to J386 (1985 - 22Kn)

### 选项

扶手高度和角度可调  
头枕  
座椅安全带符合ISO 6683标准  
可旋转0°-180°  
座椅加热器电源为12, 24, 48伏  
驾驶员控制开关  
织物范围, 丝绒或PVC  
安全带规格符合J386 (1985 - 22Kn)标准

