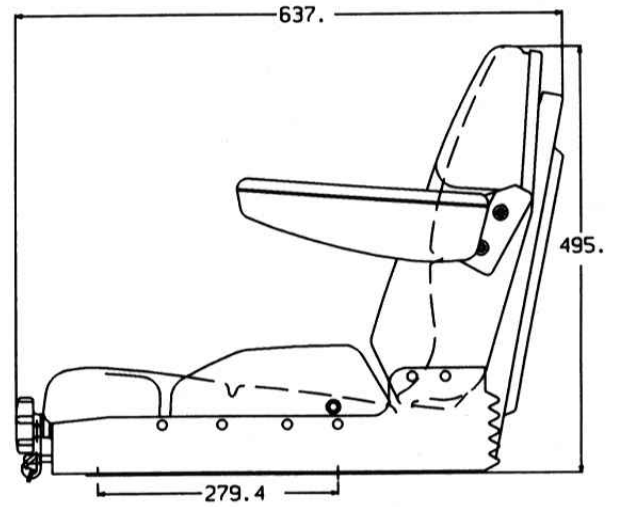
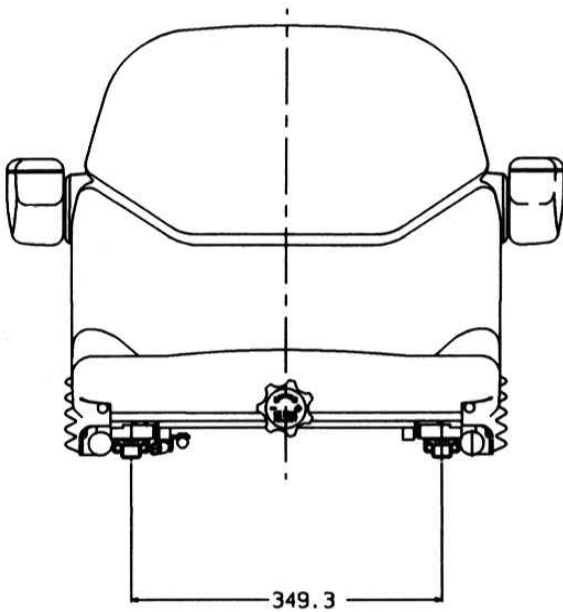


SEARS
SEATING

1200 Series - 'Lo Rider'



'Lo Rider' 1200 Series



Fully integrated Semi-Suspension

FEATURES

- Double depth Fabriform® comfort cushions
- Adjustable Backrest
- Weight adjustment 30-130kg
- Slide travel 160mm
- Self Draining cushions with cross ventilation
- Vibration performance to ISO 7096

OPTIONS

- Armrests with height pitch & tilt up adjustment
- Hip restraints
- Seat belt to ISO 6683
- Hydraulic Damper
- Seat heaters 12, 24, 48v
- Operator presence switch
- Range of fabric, velour or PVC trim

整体式半悬浮

特性

- 双层Fabriform®舒适坐垫
- 可调式靠背
- 体重调节30-130kg
- 滑道行程160mm
- 自垫与排水交叉通风
- 振动特性符合ISO7096标准

选项

- 扶手高度和角度可调
- 坐垫防滑
- 座椅安全带符合ISO 6683标准
- 液压减震器
- 座椅加热器电源为12, 24, 48伏
- 驾驶员控制开关
- 织物范围, 丝绒或PVC

