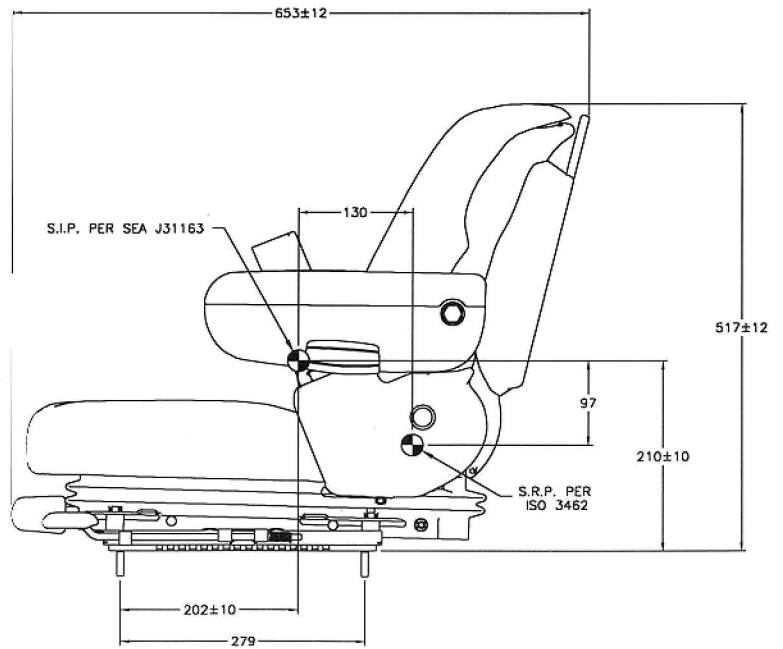
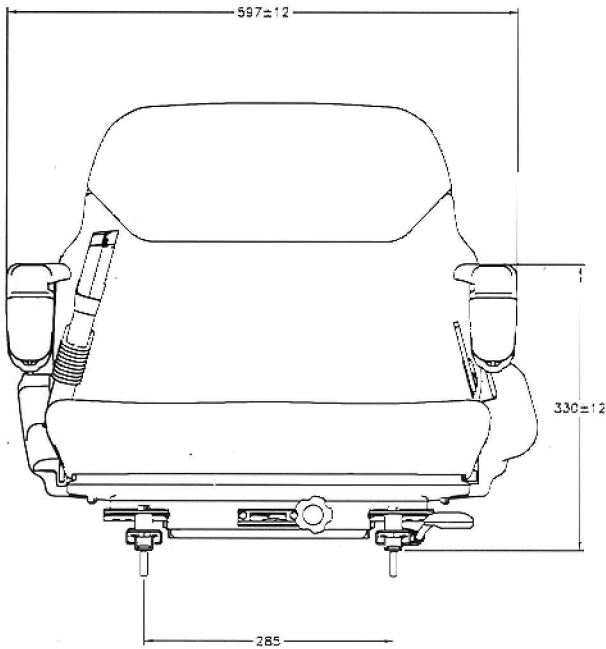


**SEARS**  
SEATING

1500 Series



## 1500 Series



Low profile Torsion™ spring full mechanical suspension

### FEATURES

- Replaceable double depth Fabriform® comfort Cushions
- Back angle fully adjustable
- Weight adjustment 30-130kg
- Suspension stroke 60mm
- Slide travel 160mm
- Moulded suspension cover
- Vibration performance to ISO 7096

### OPTIONS

- Armrests angle adjustable & tilt up.
- Hip restraints
- Seat belt to ISO 6683
- Swivel 15°-15°
- Hydraulic Damper
- Suspension stroke 90mm
- Seat heaters 12, 24, 48v
- Operator presence switch
- Range of fabric, velour or PVC trim

配备Torsion™弹簧的低频全机械式悬浮

### 特性

- 可拆换双层Fabriform®舒适坐垫
- 靠背角度可调
- 体重调节30-130kg
- 悬浮行程60mm
- 滑道行程160mm
- 模制悬浮面料
- 振动特性符合ISO7096标准

### 选项

- 扶手角度可调并和竖起
- 坐垫防滑
- 座椅安全带符合ISO 6683标准
- 可旋转15°-15°
- 液压减震器
- 悬浮行程90mm
- 座椅加热器电源为12, 24, 48伏
- 驾驶员控制开关
- 织物范围, 丝绒或PVC

