

# SEARS SEATING



## 900 SERIES



## 500 SERIES



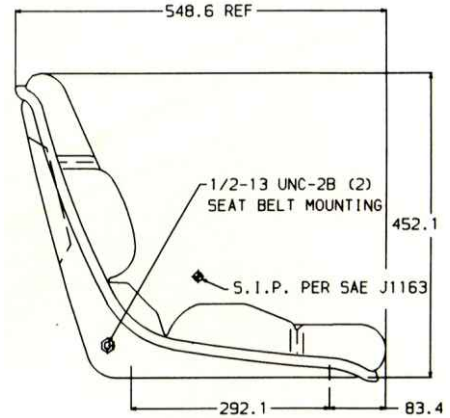
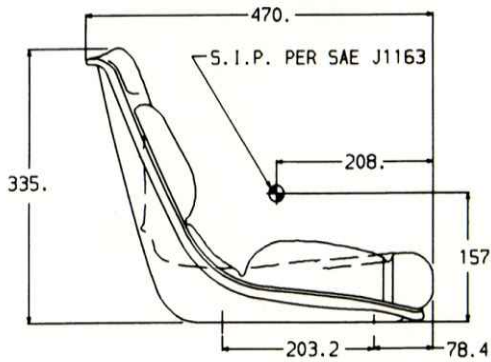
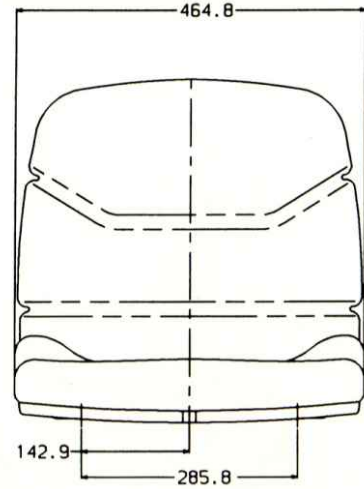
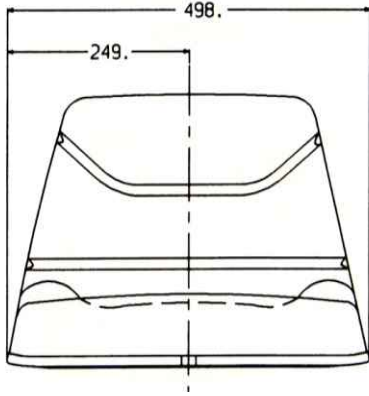
## 1000 SERIES



## 800 SERIES



## 500 Series 800-900-1000



### FEATURES

- Ergonomically contoured pan seat
- Double depth comfort cushions
- Self Draining cushions with cross ventilation
- Multiple seat fixing points
- Vibration performance to ISO 7096

### OPTIONS

- Slide travel 150-200mm
- Armrests tilt up or adjustable & tilt up
- Seat belt to ISO 6683
- Operator presence switch
- Range of fabric, velour or PVC trim

### 特性

- 符合人体工程学的座椅轮廓设计
- 角度可调底座
- 自垫与排水交叉通风
- 多重座椅稳定点
- 振动特性符合ISO7096标准

### 选项

- 滑道行程150-200mm
- 扶手可调或竖起
- 座椅安全带符合ISO 6683标准
- 驾驶员控制开关
- 织物范围，丝绒或PVC

